

Access III & IV

The Intelligent Local Access Controllers



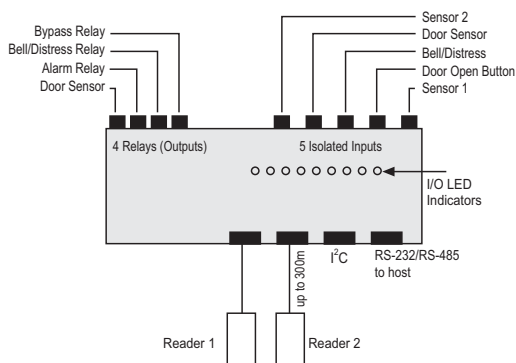
The Access III and Access IV are local access controllers designated for a single or dual entrance. These controllers are designed for maximum performance when several are connected to a Master Control unit, and monitored by Falcon software. They are unique as they provide an overall solution for monitoring access through a passage.

The Access III may also be used to authorize employees in or out of restricted areas, and can operate without connections to any other equipment, on a stand-alone basis.

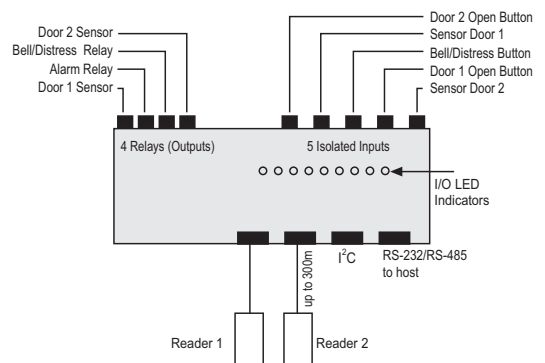
The Access III & IV controllers are housed in a strong metal casing, and is equipped with a tamper switch. They are wall mounted in a concealed location, for maximum protection against tampering or vandalism.

The Access III & IV are compatible with previous Access I & II. Such compatibility enables a parallel operation on the same line.

Access III - Single Door



Access IV - Dual Door



Access III & IV

The Intelligent Local Access Controllers



The Access III & IV are designed to provide a comprehensive solution for large scale access control installations. This all-in-one design incorporates the full access control capabilities of the Access Remote with enhanced I/O capabilities.

Both controllers work in two modes of operation:

On-line - operating on-line with a PC via the Master, and controlled by Falcon software.

Off-line - autonomic operation with complete setup via the keypad of the reader (no need for PC).

Access III - Single Door

5 Inputs:

- Door sensor (indicates whether door is open or closed)
- Door open button (door open request)
- Sensor bell distress
- Sensor I
- Sensor II (sensors I & II are designed for general purposes, such as Falcon warning for opening a window or an emergency exit, which are not subject to regular monitoring)

4 Outputs:

- Door relay
- Output to alarm system
- Bell distress
- Bypass relay (disables alarm system when entry is legal and verified)

Access IV - Dual Door

5 Inputs:

- Sensor door I
- Door I open button (door open request)
- Sensor door II
- Door II open button (door open request)
- Bell distress button

4 Outputs:

- Door II
- Door I
- Alarm relay
- Bell/distress relay

Technical Specifications

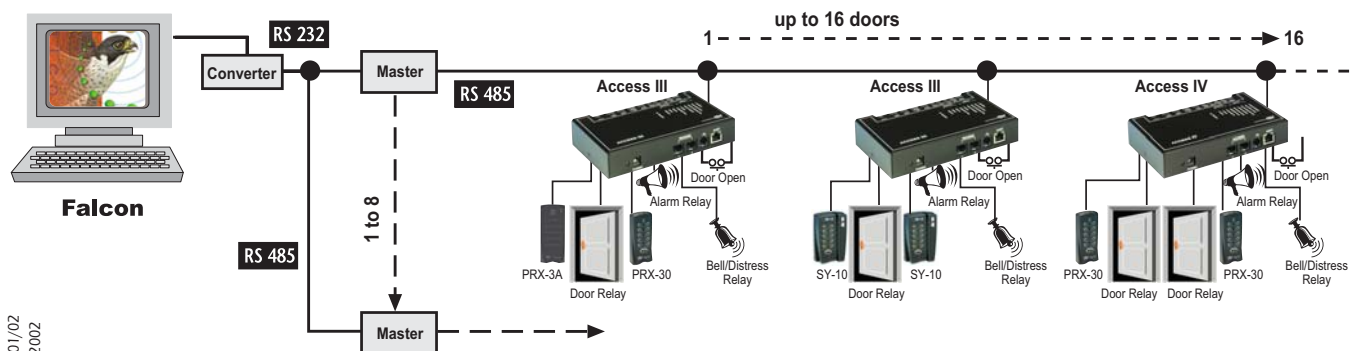
- Two connectors for badge readers such as PRX30, PRX-3, SY-1, SY-10 Series reader unit and barcode
- Magnetic, proximity, 26 bit Wiegand and barcode readers can be connected
- Each reader in addition to reading lines connection is supported by three control lines. Control line serves for LED and buzzer connection, designated for user indication
- 8Kb I²C EEPROM for user memory
- RS-485 and RS-232 communication
- Communication at limited mode terminal is 19200bps or at stand alone mode 9600bps
- Up to 4,000 permitted cards (in the stand-alone, or according to Master used in the on-line mode)

Physical Characteristics

- Dimensions: Height: 18.0 cm (7 inch)
Width: 11.2 cm (4 1/2 inch)
Depth: 3.4 cm (1 5/16 inch)
- Operating temperature: -5 - 45°C
- Relative humidity: 90%, non-condensing
- Power requirements: 12 Vdc
- Power consumption: 1 watt



On-line Mode of Operation



Synel Industries Ltd.
Yokneam Industrial Park, POB 142, Yokneam 20692, Israel
Tel: +972-4-9596760 Fax: +972-4-9590729
e-mail: info@synel.co.il
site: www.synel.com

Pictures in this brochure are for illustration purposes only.
The technical data sheet packed with the product is the only obligatory source of technical information